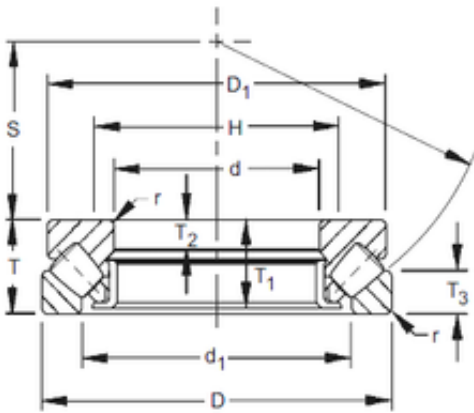




NTN BEARING-Philippines LTD

29344 TIMKEN Thrust spherical roller bearings



Bearing No. 29344

Size	220x360x85 mm
Bore Diameter	220 mm
Outer Diameter	360 mm
Width	85 mm
d	220 mm
D	360 mm
T	85 mm
B	29 mm
C	41 mm
r max	3 mm
T1	81 mm
d1	280 mm
D1	345 mm
H	285 mm
S	125 mm

29344 Bearing 2D drawings and 3D CAD models