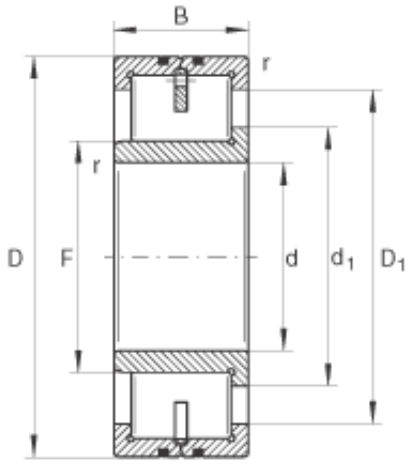




NTN BEARING-Philippines LTD



180 mm x 380 mm x 126 mm INA
LSL192336-TB cylindrical roller bearings

Bearing No. LSL192336-TB

LSL192336-TB Bearing 2D drawings and 3D CAD models

Size	180x380x126 mm
Bore Diameter	180 mm
Outer Diameter	380 mm
Width	126 mm
d	180 mm
D	380 mm
B	126 mm
D ₁	313,3 mm
d ₁	245 mm
F	221,56 mm
r _{min}	4 mm
s	7 mm / Axial displacement
m	67,4 kg / Weight
C _r	1840000 N / Dynamic load rating (radial)
C _{0r}	2430000 N / Static load rating (radial)
C _{ur}	265000 N / Fatigue limit load, radial
n _G	3500 1/min / Limiting speed
Category	Cylindrical Roller Bearings
Inventory	0.0
Manufacturer Name	SCHAEFFLER GROUP
Minimum Buy Quantity	N/A
Weight / Kilogram	80.71
Product Group	B04144



NTN BEARING-Philippines LTD

Bore Profile	Straight
Cage Material	Brass
Precision Class	RBEC 1 ISO P0
Number of Rows of Rollers	Single Row
Separable	Inner Ring - One Side
Rolling Element	Cylindrical Roller Bearing
Profile	Complete with Outer and Inner Ring
Snap Ring	No
Internal Clearance	C0-Medium
Retainer	Yes
Relubricatable	Yes
Inch - Metric	Metric
Other Features	1 Rib Inner Ring 2 Rib Outer Ring Operating Temperature From -30 to 120 Deg Cage on Outer Ring ID
Long Description	180MM Bore; Straight Bore Profile; 380MM Outside Diameter; 126MM Width; Brass Cage Material; RBEC 1 ISO P0; Single Row; Inner Ring - One Side Separable; No Snap Ring; Relubricatable; C0-Medium Inte
Category	Cylindrical Roller Bearing
UNSPSC	31171547
Harmonized Tariff Code	8482.50.00.00
Noun	Bearing
Manufacturer URL	http://www.ina.com
Manufacturer Item Number	LSL192336
Weight / LBS	177.936
Bore	7.087 Inch 180 Millimeter
Outside Diameter	14.961 Inch 380 Millimeter



NTN BEARING-Philippines LTD

Width	4.961 Inch 126 Millimeter
-------	-----------------------------