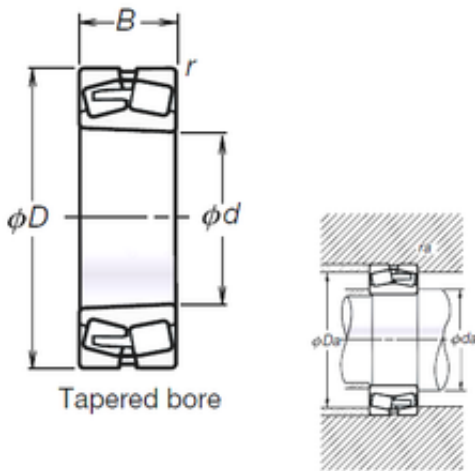




NTN BEARING-Philippines LTD

220 mm x 370 mm x 120 mm NSK
TL23144CAKE4 spherical roller bearings



Bearing No. TL23144CAKE4

Size	220x370x120 mm
Bore Diameter	220 mm
Outer Diameter	370 mm
Width	120 mm
d	220 mm
D	370 mm
B	120 mm
C	120 mm
r min.	4 mm
da min.	238 mm
Da min	352 mm
Da max.	320 mm
ra max.	3 mm
Weight	52 Kg
Basic dynamic load rating (C)	1570 kN
Basic static load rating (C0)	2710 kN
(Grease) Lubrication Speed	710 r/min
(Oil) Lubrication Speed	950 r/min
Calculation factor (e)	0,31
Calculation factor (Y0)	2,1
Calculation factor (Y2)	3,2

TL23144CAKE4 Bearing 2D drawings and 3D CAD models