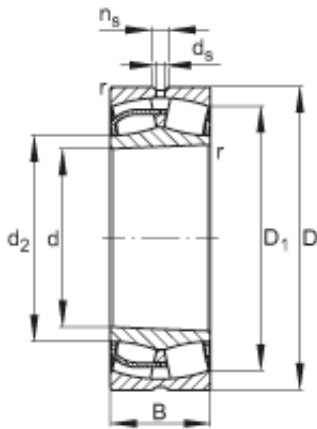




NTN BEARING-Philippines LTD



220 mm x 370 mm x 120 mm FAG 23144-E1-K
spherical roller bearings

Bearing No. 23144-E1-K

23144-E1-K Bearing 2D drawings and 3D CAD models

Size	220x370x120 mm
Bore Diameter	220 mm
Outer Diameter	370 mm
Width	120 mm
d	220 mm
D	370 mm
B	120 mm
D_1	323 mm
$D_{a \max}$	353 mm
d_2	254,8 mm
$d_{a \min}$	237 mm
d_s	9,5 mm
n_s	17,7 mm
$r_{a \max}$	3 mm
r_{\min}	4 mm
m	50,5 kg / Weight
C_r	1850000 N / Dynamic load rating (radial)
e	0,31
Y_1	2,15
Y_2	3,2
C_{0r}	2700000 N / Static load rating (radial)
Y_0	2,1



NTN BEARING-Philippines LTD

n_G	1860 1/min / Limiting speed
n_B	1100 1/min
C_{ur}	164000 N / Fatigue limit load, radial