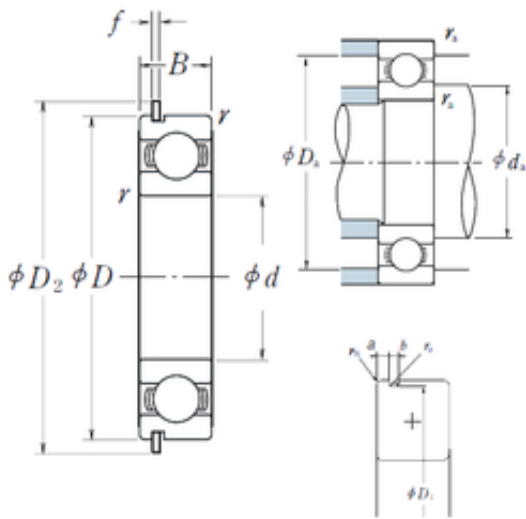




NTN BEARING-Philippines LTD



75 mm x 160 mm x 37 mm NSK 6315NR deep groove ball bearings

Bearing No. 6315NR

6315NR Bearing 2D drawings and 3D CAD models

Size	75x160x37 mm
Bore Diameter	75 mm
Outer Diameter	160 mm
Width	37 mm
d	75 mm
D	160 mm
B	37 mm
C	37 mm
rn	0,5 mm
a	4,9 mm
b	3,1 mm
f	2,82 mm
r min.	2,1 mm
r0 max.	0,6 mm
D1	155,22 mm
D2	169,7 mm
da min.	86 mm
da max	98,5 mm
Da max.	149 mm
ra max.	2 mm
Weight	3,08 Kg
Basic dynamic load rating (C)	113 kN
Basic static load rating (C0)	77 kN
(Grease) Lubrication Speed	4 300 r/min
(Oil) Lubrication Speed	5 000 r/min



NTN BEARING-Philippines LTD

Category	Single Row Ball Bearings
Inventory	0.0
Manufacturer Name	NSK
Minimum Buy Quantity	N/A
Weight / Kilogram	3.15
Product Group	B00308
Enclosure	Open
Precision Class	ABEC 1 ISO P0
Maximum Capacity / Filling Slot	No
Rolling Element	Ball Bearing
Snap Ring	Yes
Internal Special Features	No
Cage Material	Steel
Internal Clearance	C0-Medium
Inch - Metric	Metric
Long Description	75MM Bore; 160MM Outside Diameter; 37MM Outer Race Width; Open; Ball Bearing; ABEC 1 ISO P0; No Filling Slot; Yes Snap Ring; No Internal Special Features; C0-Medium Internal Clearance; Steel Cage
Other Features	Deep Groove With Snap Ring
Category	Single Row Ball Bearing
UNSPSC	31171504
Harmonized Tariff Code	8482.10.50.68
Noun	Bearing
Keyword String	Ball
Manufacturer URL	http://www.nskamericas.com
Weight / LBS	6.7914
Outer Race Width	1.457 Inch 37 Millimeter



NTN BEARING-Philippines LTD

Outside Diameter	6.299 Inch 160 Millimeter
Bore	2.953 Inch 75 Millimeter
Inner Race Width	0 Inch 0 Millimeter
SRI	13.97
hidYobi	6315NR
LangID	1
ro	0.6
D_	160
SREX	0.05
B_	37
da min	86
hidTable	ecat_NS RDGB
Oil rpm	5000
SRE	13.97
Cy	7.3
mass	3.08
GRS rpm	4300
ra	2
SRIX	0.05
D_a	149
SRIN	-0.05
C0	77
fo	13.2
SREN	-0.05
DE_	144.488
Prod_Type3	DGBB_SR_NR_OT
DA_	26.988
bomp	0
Z_	8
yobi	6315NR
Dx	172
C_conv	113000



NTN BEARING-Philippines LTD

ALPHA_	0
SDM_	117.5
r	2.1
KBRG	6101
SBRG	3
DI_	90.512